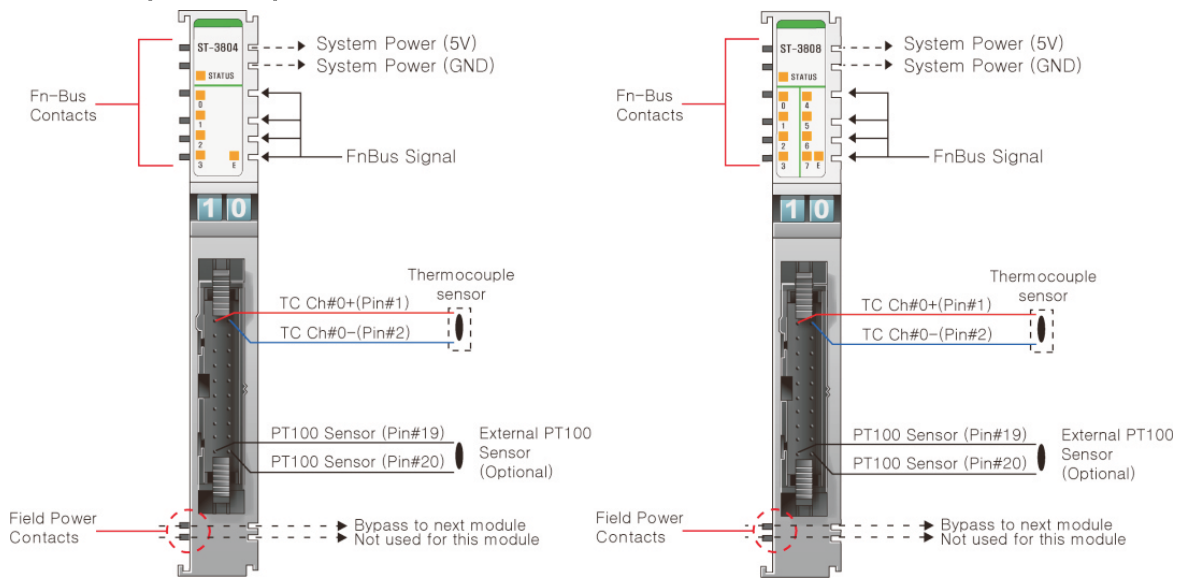


ST-3804, ST-3808

TC, 4 Channels (ST-3804)
TC, 8 Channels (ST-3808)



Item	ST-3804	ST-3808																																																																																																								
Input Specification																																																																																																										
Number of Inputs	4 Channels	8 Channels																																																																																																								
Indicators	1 Green/Red LED, Module Status 4 Green LED, Input State 1 Green LED,E, Cold Junction	1 Green/Red LED, Module Status 8 Green LED, Input State 1 Green LED,E, Cold Junction																																																																																																								
Sensor Types	Thermocouple Input - Type K/J/T/B/R/S/E/N/L/U/C/D mV Input - 10uV/bit, 1uV/bit, 2uV/bit																																																																																																									
Cold Junction Temperature	-20~70℃																																																																																																									
Cold Junction Compensation Method	External *PT100 Sensor (recommended) or Internal Temperature Sensor * Auto Detection if External PT100 (high priority) is Connected																																																																																																									
Conversion Time	30msec/1Channel when Normal Conversion																																																																																																									
Data Format	16bits Integer (2's compliment)																																																																																																									
Resolution of Data	± 0.1℃/F, 10mΩ																																																																																																									
Module Accuracy	± 0.3% Full Scale @25℃ ± 0.5% Full Scale @0℃, 60℃																																																																																																									
Calibration	Not Required																																																																																																									
Diagnostic	Sensor Open or Range Over, then Conversion Data=0x8000(-32768)																																																																																																									
Common Type	1 Common / 1 Input																																																																																																									
General Specification																																																																																																										
System Power Dissipation	Max. 120mA@5.0Vdc	Max. 140mA@5.0Vdc																																																																																																								
Isolation	I/O to Control Logic : Photocoupler Isolation																																																																																																									
Field power	Not used, Field Power by pass to next expansion module																																																																																																									
Wiring	Connector Type, up to AWG22 Module Connector : HIF3BA-20D-2.54DSA																																																																																																									
Weight	70g																																																																																																									
Module Size	12mm x 99mm x 70mm																																																																																																									
Environment Condition	Refer to " Environment Specification"(page : 1-191)																																																																																																									
	<table border="1"> <thead> <tr> <th>Pin No.</th> <th>Description</th> <th>Pin No.</th> <th>Description</th> </tr> </thead> <tbody> <tr><td>1</td><td>TC Ch#0+</td><td>2</td><td>TC Ch#0-</td></tr> <tr><td>3</td><td>TC Ch#1+</td><td>4</td><td>TC Ch#1-</td></tr> <tr><td>5</td><td>TC Ch#2+</td><td>6</td><td>TC Ch#2-</td></tr> <tr><td>7</td><td>TC Ch#3+</td><td>8</td><td>TC Ch#3-</td></tr> <tr><td>9</td><td>AGND</td><td>10</td><td>AGND</td></tr> <tr><td>11</td><td>-</td><td>12</td><td>-</td></tr> <tr><td>13</td><td>-</td><td>14</td><td>-</td></tr> <tr><td>15</td><td>-</td><td>16</td><td>-</td></tr> <tr><td>17</td><td>-</td><td>18</td><td>-</td></tr> <tr><td>19</td><td>External PT100</td><td>20</td><td>External PT100</td></tr> <tr><td>-</td><td>-</td><td>-</td><td>-</td></tr> <tr><td>-</td><td>-</td><td>-</td><td>-</td></tr> </tbody> </table>	Pin No.	Description	Pin No.	Description	1	TC Ch#0+	2	TC Ch#0-	3	TC Ch#1+	4	TC Ch#1-	5	TC Ch#2+	6	TC Ch#2-	7	TC Ch#3+	8	TC Ch#3-	9	AGND	10	AGND	11	-	12	-	13	-	14	-	15	-	16	-	17	-	18	-	19	External PT100	20	External PT100	-	-	-	-	-	-	-	-	<table border="1"> <thead> <tr> <th>Pin No.</th> <th>Description</th> <th>Pin No.</th> <th>Description</th> </tr> </thead> <tbody> <tr><td>1</td><td>TC Ch#0+</td><td>2</td><td>TC Ch#0-</td></tr> <tr><td>3</td><td>TC Ch#1+</td><td>4</td><td>TC Ch#1-</td></tr> <tr><td>5</td><td>TC Ch#2+</td><td>6</td><td>TC Ch#2-</td></tr> <tr><td>7</td><td>TC Ch#3+</td><td>8</td><td>TC Ch#3-</td></tr> <tr><td>9</td><td>AGND</td><td>10</td><td>AGND</td></tr> <tr><td>11</td><td>TC Ch#4+</td><td>12</td><td>TC Ch#4-</td></tr> <tr><td>13</td><td>TC Ch#5+</td><td>14</td><td>TC Ch#5-</td></tr> <tr><td>15</td><td>TC Ch#6+</td><td>16</td><td>TC Ch#6-</td></tr> <tr><td>17</td><td>TC Ch#7+</td><td>18</td><td>TC Ch#7-</td></tr> <tr><td>19</td><td>External PT100</td><td>20</td><td>External PT100</td></tr> <tr><td>-</td><td>-</td><td>-</td><td>-</td></tr> <tr><td>-</td><td>-</td><td>-</td><td>-</td></tr> </tbody> </table>	Pin No.	Description	Pin No.	Description	1	TC Ch#0+	2	TC Ch#0-	3	TC Ch#1+	4	TC Ch#1-	5	TC Ch#2+	6	TC Ch#2-	7	TC Ch#3+	8	TC Ch#3-	9	AGND	10	AGND	11	TC Ch#4+	12	TC Ch#4-	13	TC Ch#5+	14	TC Ch#5-	15	TC Ch#6+	16	TC Ch#6-	17	TC Ch#7+	18	TC Ch#7-	19	External PT100	20	External PT100	-	-	-	-	-	-	-	-
Pin No.	Description	Pin No.	Description																																																																																																							
1	TC Ch#0+	2	TC Ch#0-																																																																																																							
3	TC Ch#1+	4	TC Ch#1-																																																																																																							
5	TC Ch#2+	6	TC Ch#2-																																																																																																							
7	TC Ch#3+	8	TC Ch#3-																																																																																																							
9	AGND	10	AGND																																																																																																							
11	-	12	-																																																																																																							
13	-	14	-																																																																																																							
15	-	16	-																																																																																																							
17	-	18	-																																																																																																							
19	External PT100	20	External PT100																																																																																																							
-	-	-	-																																																																																																							
-	-	-	-																																																																																																							
Pin No.	Description	Pin No.	Description																																																																																																							
1	TC Ch#0+	2	TC Ch#0-																																																																																																							
3	TC Ch#1+	4	TC Ch#1-																																																																																																							
5	TC Ch#2+	6	TC Ch#2-																																																																																																							
7	TC Ch#3+	8	TC Ch#3-																																																																																																							
9	AGND	10	AGND																																																																																																							
11	TC Ch#4+	12	TC Ch#4-																																																																																																							
13	TC Ch#5+	14	TC Ch#5-																																																																																																							
15	TC Ch#6+	16	TC Ch#6-																																																																																																							
17	TC Ch#7+	18	TC Ch#7-																																																																																																							
19	External PT100	20	External PT100																																																																																																							
-	-	-	-																																																																																																							
-	-	-	-																																																																																																							